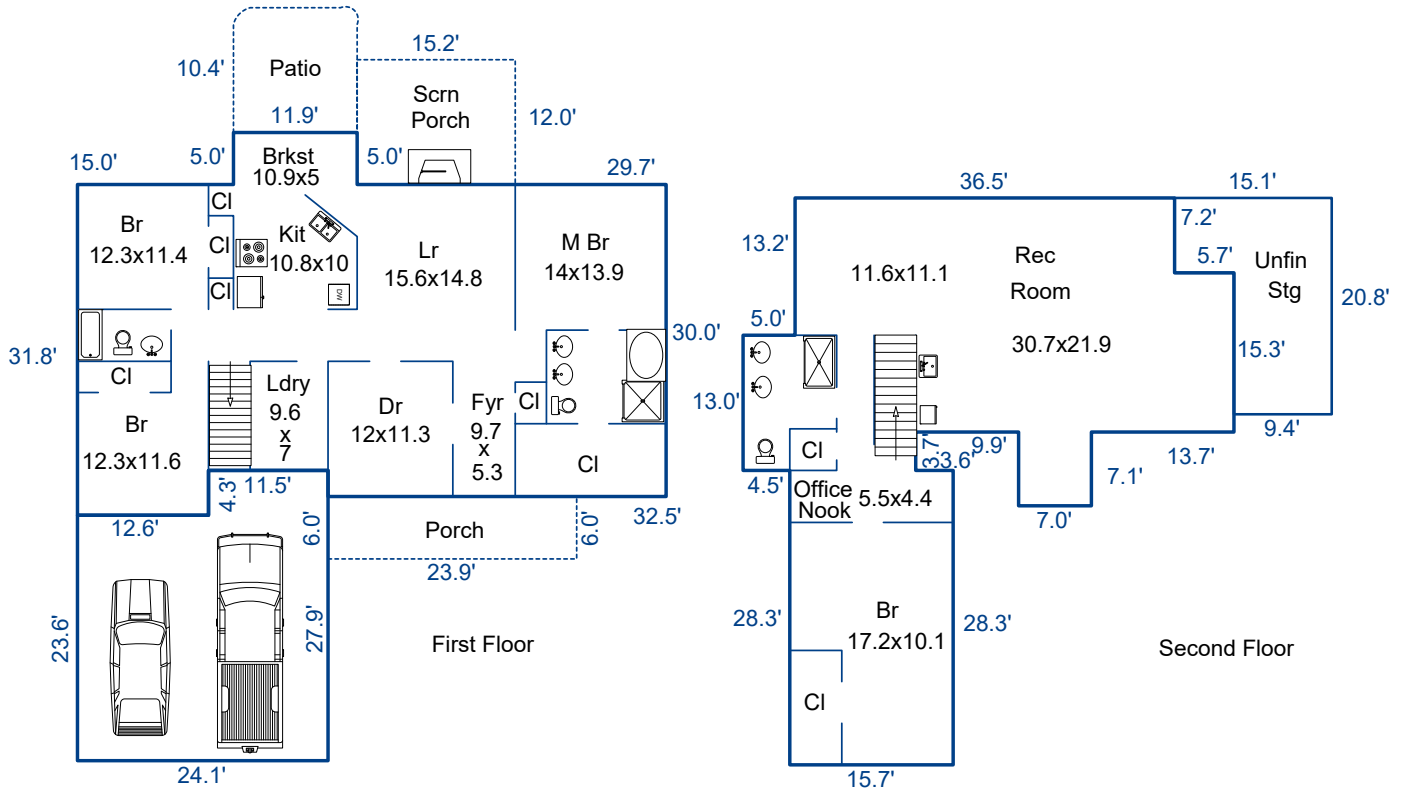


# SKETCH/AREA TABLE ADDENDUM

## SUBJECT INFO

File No.: 75 Parcel No.: 1863-04-0482  
 Property Address: 55 JAMES JOYCE CT  
 City: YOUNGSVILLE County: FRANKLIN State: NC ZipCode: 27596  
 Owner: DAVID & LISA CAVERLY  
 Client: LISA GOMES Client Address: 100 LYNN RD RALEIGH, NC 27609  
 Appraiser Name: T. SCOTT TRUSLER Inspection Date: 10/20/2017

## SKETCH



Sketch by Apex Sketch

### AREA CALCULATIONS SUMMARY

Code	Description	Factor	Net Size	Perimeter	Net Totals
GLA1	First Floor	1.0	1751.4	191.8	1751.4
GLA2	Second Floor	1.0	1510.4	224.8	1510.4
GAR	Garage	1.0	618.2	104.0	618.2
OTH	Storage	1.0	236.6	71.8	236.6
P/P	Screen Pch	1.0	182.4	54.4	
	Patio	1.0	141.9	46.7	
	Porch	1.0	143.4	59.8	467.7

Net LIVABLE

(rounded)

3,262