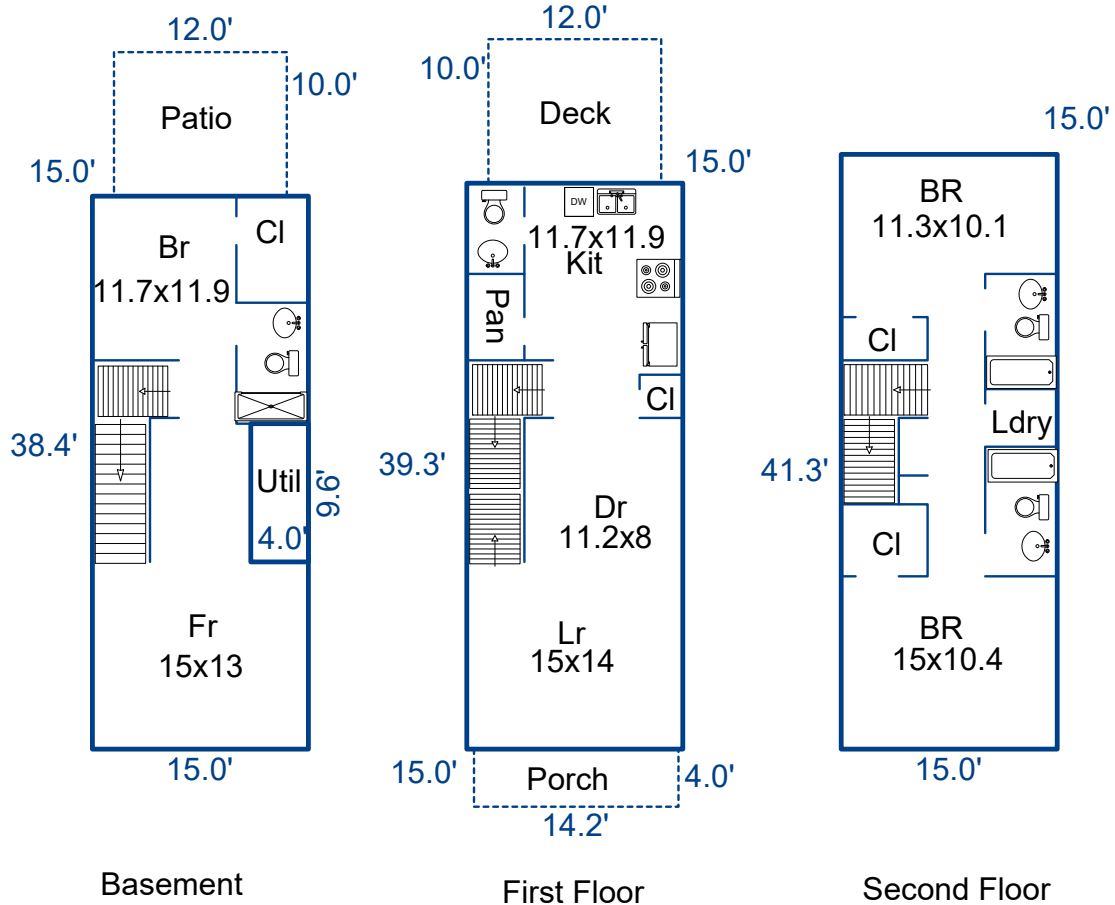


SKETCH/AREA TABLE ADDENDUM

SUBJECT INFO

File No.: 19 Parcel No.: PIN # 1715436016
 Property Address: 2821 WILSHIRE HILL DR 111
 City: RALEIGH County: WAKE State: NC ZipCode: 27604
 Owner: ALVA & TRACI PAYNE
 Client: LISA GOMES Client Address: 100 LYNN RD RALEIGH, NC 27609
 Appraiser Name: T. SCOTT TRUSLER Inspection Date: 06/06/2017

SKETCH



Sketch by Apex Sketch

AREA CALCULATIONS SUMMARY

Code	Description	Factor	Net Size	Perimeter	Net Totals
GLA1	First Floor	1.0	589.5	108.6	589.5
GLA2	Second Floor	1.0	619.5	112.6	619.5
BSMT	Finished BSMT	1.0	576.0	106.8	
	Unfinished BSMT	-1.0	-38.4	27.2	537.6
P/P	Wood Deck	1.0	120.0	44.0	
	Patio	1.0	120.0	44.0	
	Porch	1.0	56.8	36.4	296.8
	Net LIVABLE			(rounded)	1,209