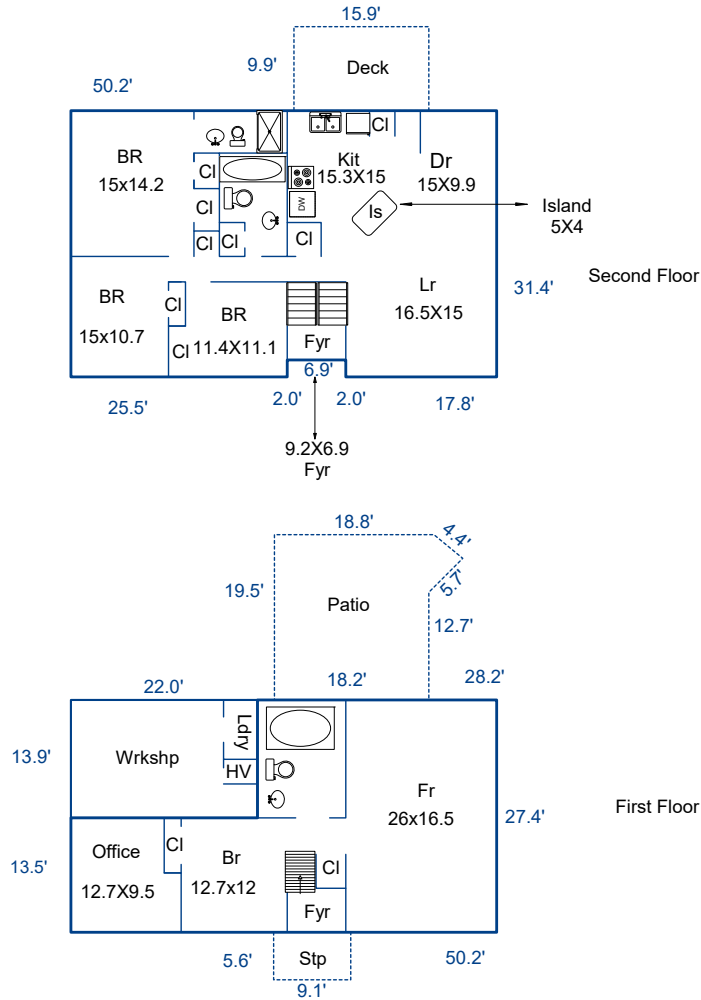


SKETCH/AREA TABLE ADDENDUM

SUBJECT INFO

File No.: 16 Parcel No.: PIN # 0783682837
 Property Address: 1309 PRAT CT
 City: RALEIGH County: WAKE State: NC ZipCode: 27606
 Owner: MICHAEL & THERESA PADGETT
 Client: LISA GOMES Client Address: 100 LYNN RD RALEIGH, NC 27609
 Appraiser Name: T. SCOTT TRUSLER Inspection Date: 06/06/2017

SKETCH



Sketch by Apex Sketch

AREA CALCULATIONS SUMMARY

Code	Description	Factor	Net Size	Perimeter	Net Totals
GLA1	First Floor	1.0	1069.7	155.2	1069.7
GLA2	Second Floor	1.0	1562.5	167.2	1562.5
OTH	Storage	1.0	305.8	71.8	305.8
P/P	Stoop	1.0	51.0	29.4	
	Patio	1.0	369.3	79.3	
	Wood Deck	1.0	157.4	51.6	577.7

Net LIVABLE

(rounded)

2,632